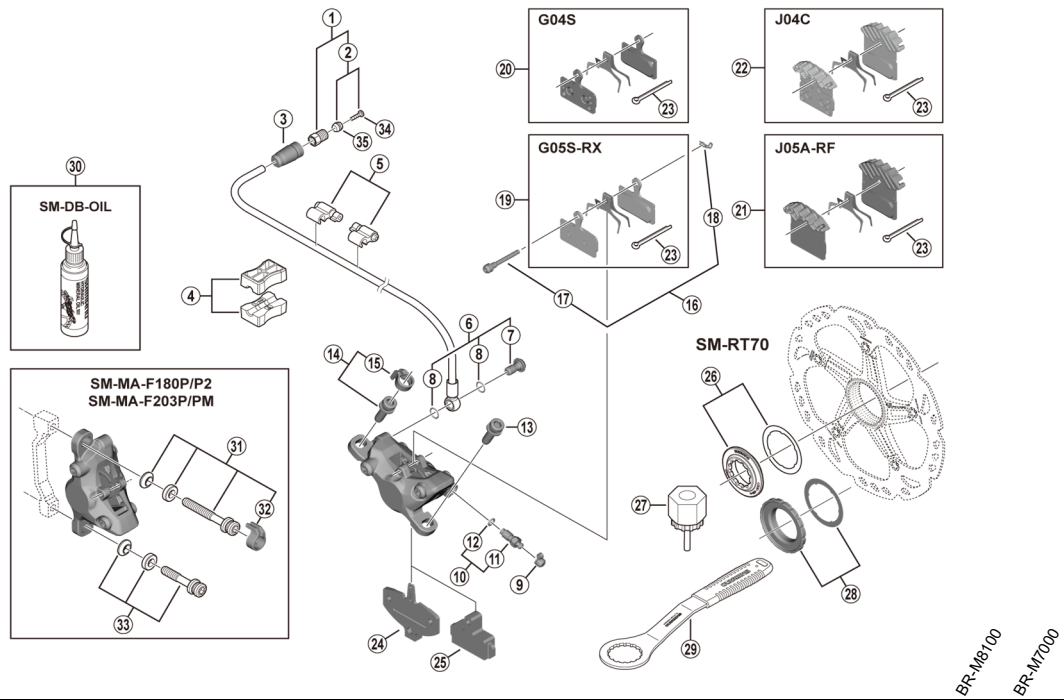


SLX Disc Brake
BR-M7100 Brake Caliper
SM-RT70 Disc Rotor

SM-BH90-SBM Brake Hose



ITEM NO.	SHIMANO CODE NO.	DESCRIPTION	INTERCHANGEABILITY	
			A	A
1	Y8JA98010	Flare nut unit	A	A
2	Y8JA98020	Olive and connector insert	A	A
3	Y1XJ16000	Cover	A	A
4	Y8H198030	TL-BH61 Shimano original tool (2 pcs.)	A	A
5	Y83098040	SM-HANG Hose supporter A and B	A	A
6	Y2RT98010	Banjo screw and O-ring	A	
7	Y2RT05000	Banjo screw	A	
8	Y8SY28000	O-ring	A	A
9	Y8B214000	Bleed nipple cap	A	A
10	Y8CL98050	Bleed nipple and seal ring	A	A
11	Y8CL24200	Bleed nipple	A	A
12	Y8B511001	O-Ring for bleed nipple	A	A
13	Y8C509020	Caliper fixing screw (M6 x 18.7)	A	A
14	Y2F398020	Caliper fixing screw (M6 x 18.7) and snap ring	A	A
15	Y2RT06000	Snap ring	A	A
16	Y2GM98020	Pad axle and snap retainer	B	B
17	Y8EB12010	Pad axle	B	B
18	Y8J716000	Snap retainer	A	A
*	EBPG05SRXA	G05S-RX Resin pad and spring with split pin (pair)		A
	Y2S398010			
* 19	EBPG05SRXBS	G05S-RX Resin pad and spring with split pin (25 pairs)		A
	Y2S398011			
*	IBPG04SMXA	G04S Metal pad and spring with split pin (pair)	A	A
	Y8MY98010			
*	EBPJ05ARFA	J05A-RF Resin pad with fin and spring with split pin (pair)	A	A
	Y2R298020			
* 21	EBPJ05ARFBS	J05A-RF Resin pad with fin and spring with split pin (25 pairs)	A	A
	Y2R298021			
*	IBPJ04CMFA	J04C Metal pad with fin and spring with split pin (pair)	A	A
	Y8LW98030			
23	Y8DB06100	Split pin	B	B
24	Y8J709000	Pad spacer	A	A
25	Y8J712000	Bleeding spacer	A	A
26	Y8P898010	Lock ring and washer	B	A
27	Y12009230	TL-LR15 Lock ring removal tool	A	A
28	Y26L98030	Lock ring and washer (external spline type)	B	A
29	Y13098000	TL-FC36 Lock ring removal tool	A	A
30	Y83998020	Mineral oil (100 ml)	A	A
	Y83998030	Mineral oil (500 ml)	A	A
31	Y2RT98020	Caliper fixing screw unit (M6 x 37.9) for SM-MA-F180P/P2	A	A
	Y2RT98030	Caliper fixing screw unit (M6 x 40.2) for SM-MA-F203P/PM	A	A
32	Y2RT07000	Snap ring	A	A
33	Y8G498030	Caliper fixing screw unit (M6 x 32.1) for SM-MA-F180P/P2	A	A
	Y8J498020	Caliper fixing screw unit (M6 x 34.4) for SM-MA-F203P/PM	A	A
34	Y8JA98026	Connecting insert (100 pcs.)	A	A
35	Y8H298047	Olive (100 pcs.)	A	A

A: Same parts.

B: Parts are usable, but differ in materials, appearance, finish, size, etc.

Absence of mark indicates non-interchangeability.

Specifications are subject to change without notice.

Jul.-2022-4596C

© Shimano Inc. I

SHIMANO